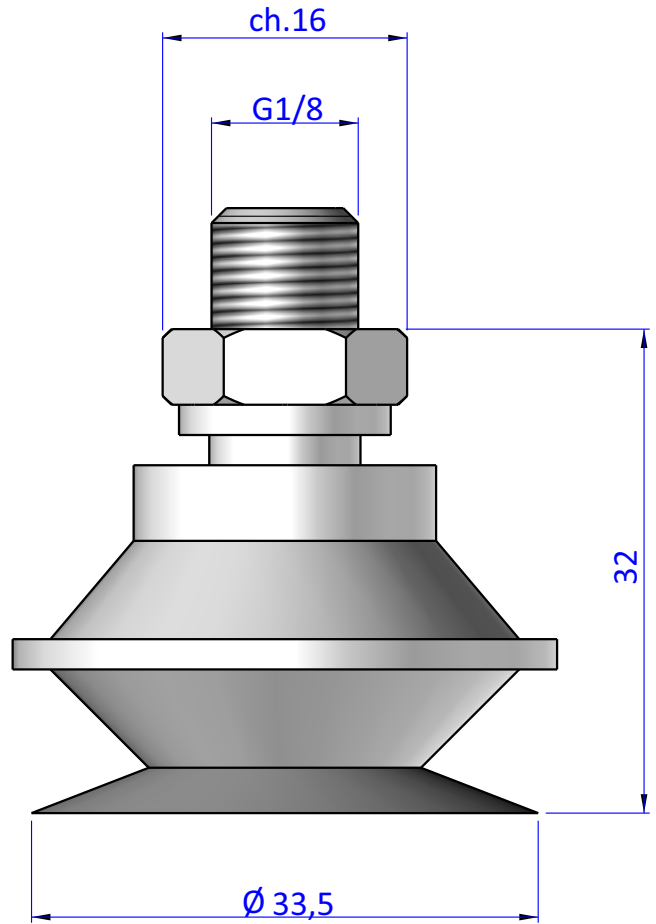
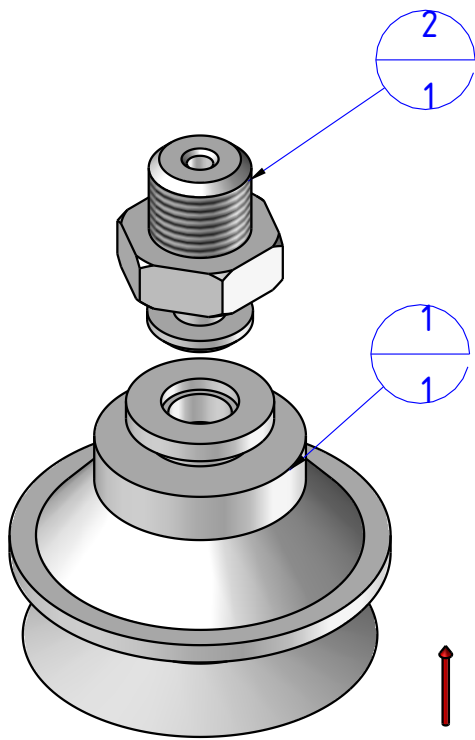


THE PROPERTY OF THE DRAWING IS ESTABLISHED BY LAW. IT IS FORBIDDEN TO PRODUCE OR SHOW IT TO THIRD PART. WITHOUT A WRITTEN AGREEMENT.

Item	Name	Q.ty
1	CA.08.01.004	1
2	CA.08.09.002.AL	1



DESIGNED FROM <b>FPS Automation</b>		REVIEW <b>A</b>
DATE <b>03/11/2020</b>	WEIGHT <b>0,011kg</b>	
CODE <b>KIT.08.01.D30.2</b>		

Format **A4**

**UNI 936-76**

GENERAL TOLERANCE

UNI - ISO 2768

CLASSE **f**

DESCRIPTION

**KIT.08.01.D30.2**